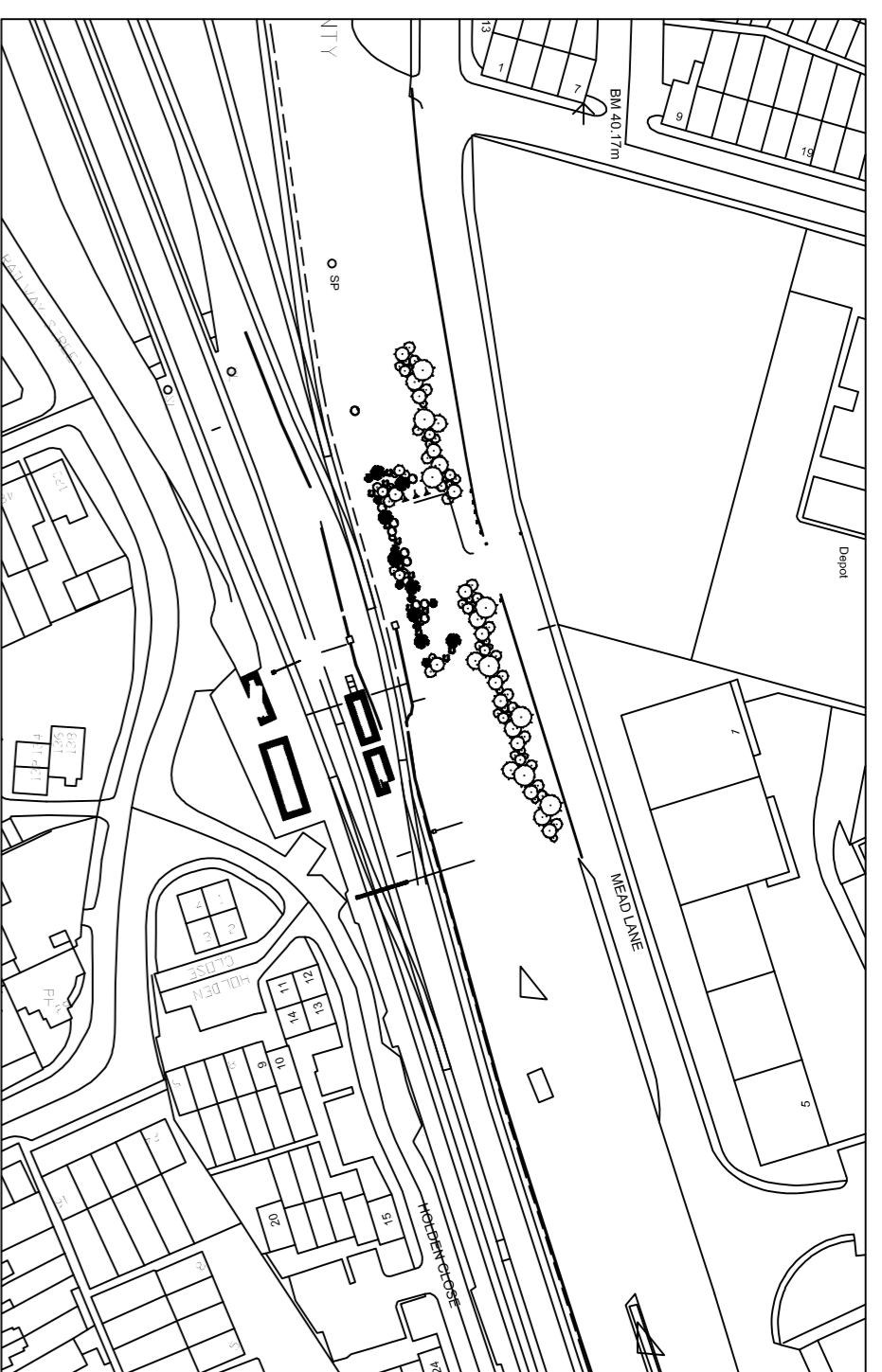


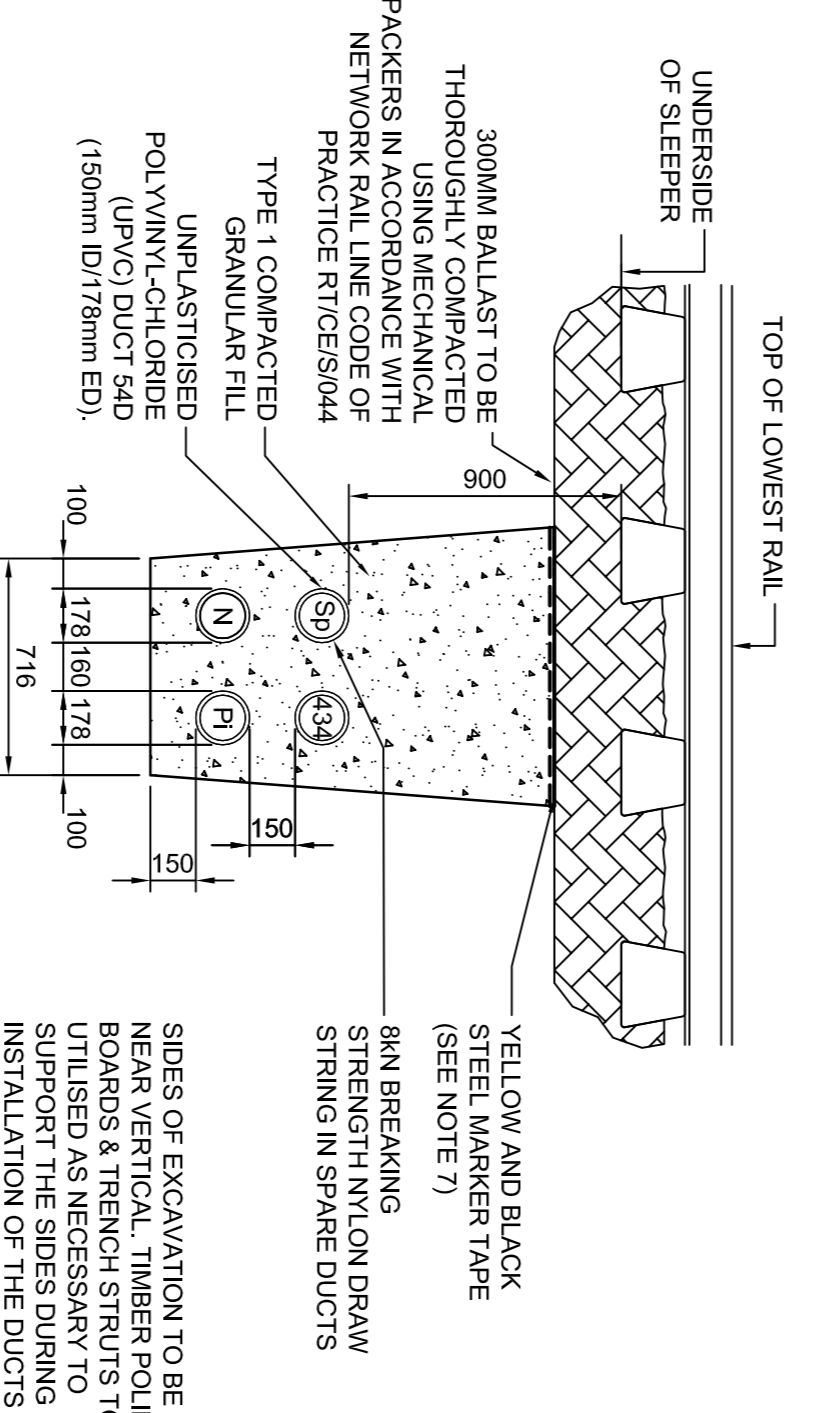
**UTX LOCATIONS**  
SCALE 1:200



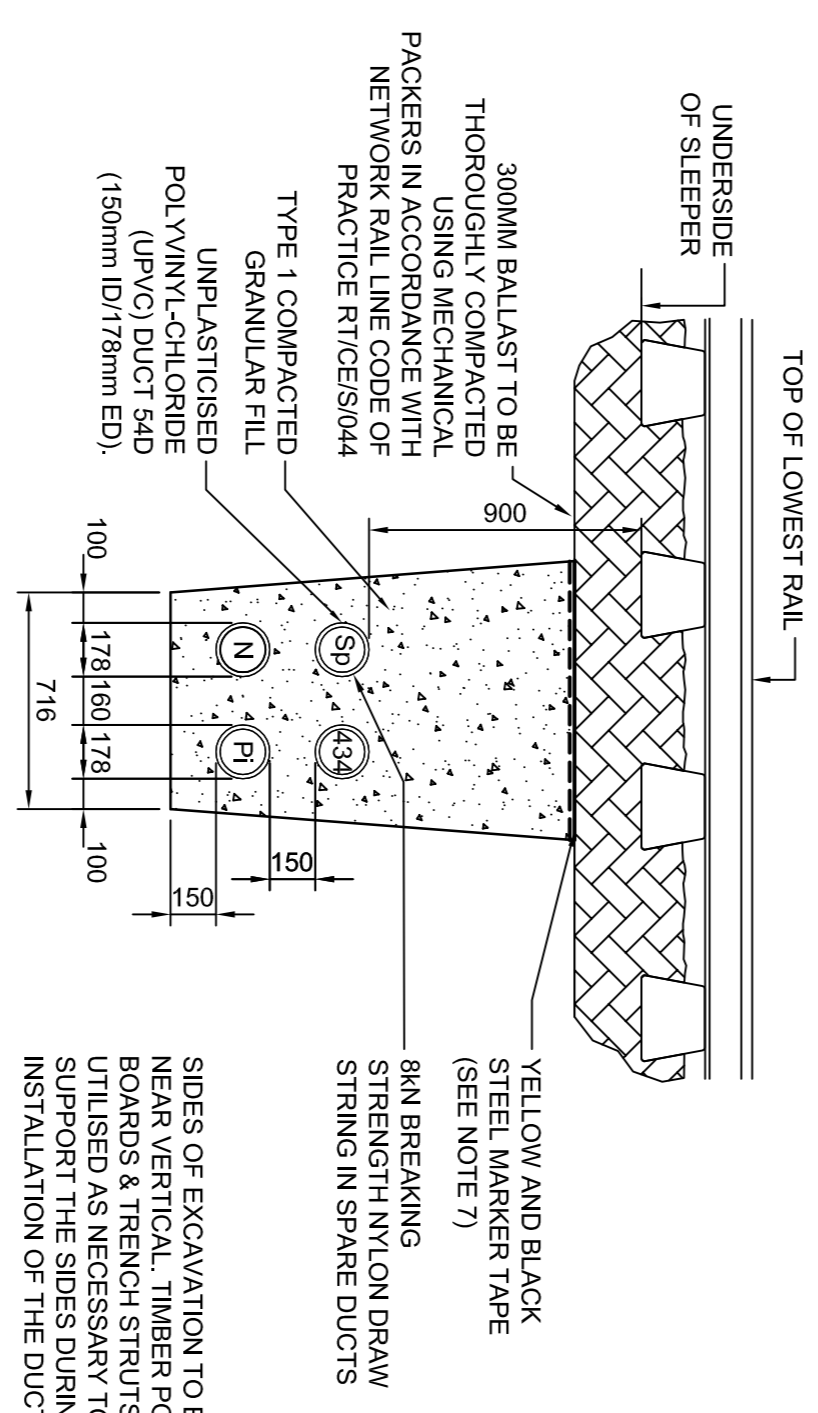
**SITE LOCATION PLAN**  
SCALE 1:1250

LINE	LINE OF ROUTE DESCRIPTION	HEB	ELR	ROUTE	LINE NUMBER
EXISTD 003	Existing and to be removed	HEB	ELR	Up/Down	1-100
NEW 001	New	HEB	ELR	Up/Down	101-200
NEW 002	New	HEB	ELR	Up/Down	201-300
NEW 003	New	HEB	ELR	Up/Down	301-400
NEW 004	New	HEB	ELR	Up/Down	401-500
NEW 005	New	HEB	ELR	Up/Down	501-600
NEW 006	New	HEB	ELR	Up/Down	601-700
NEW 007	New	HEB	ELR	Up/Down	701-800
NEW 008	New	HEB	ELR	Up/Down	801-900
NEW 009	New	HEB	ELR	Up/Down	901-1000

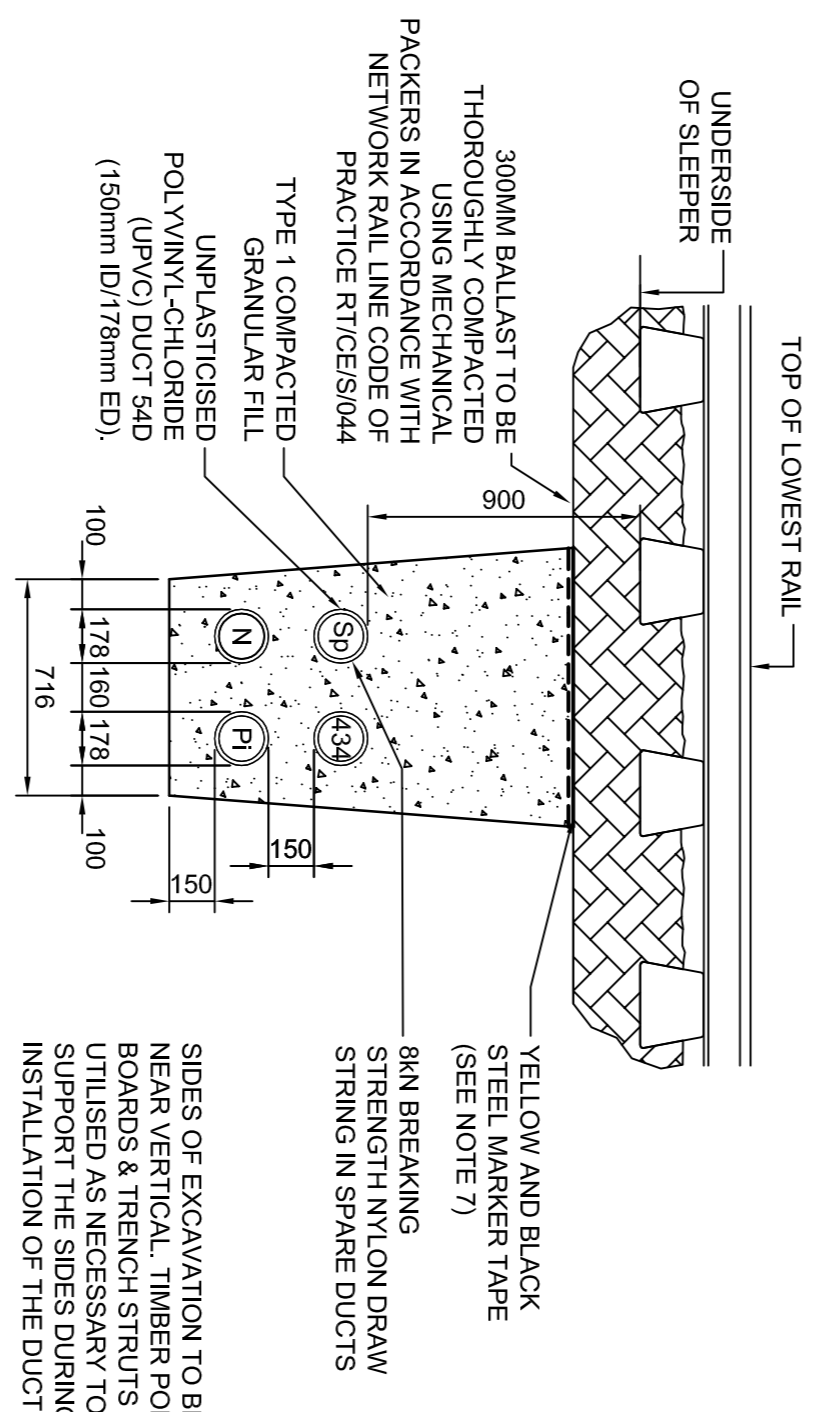
**SECTIONAL APPENDIX EXTRACT**



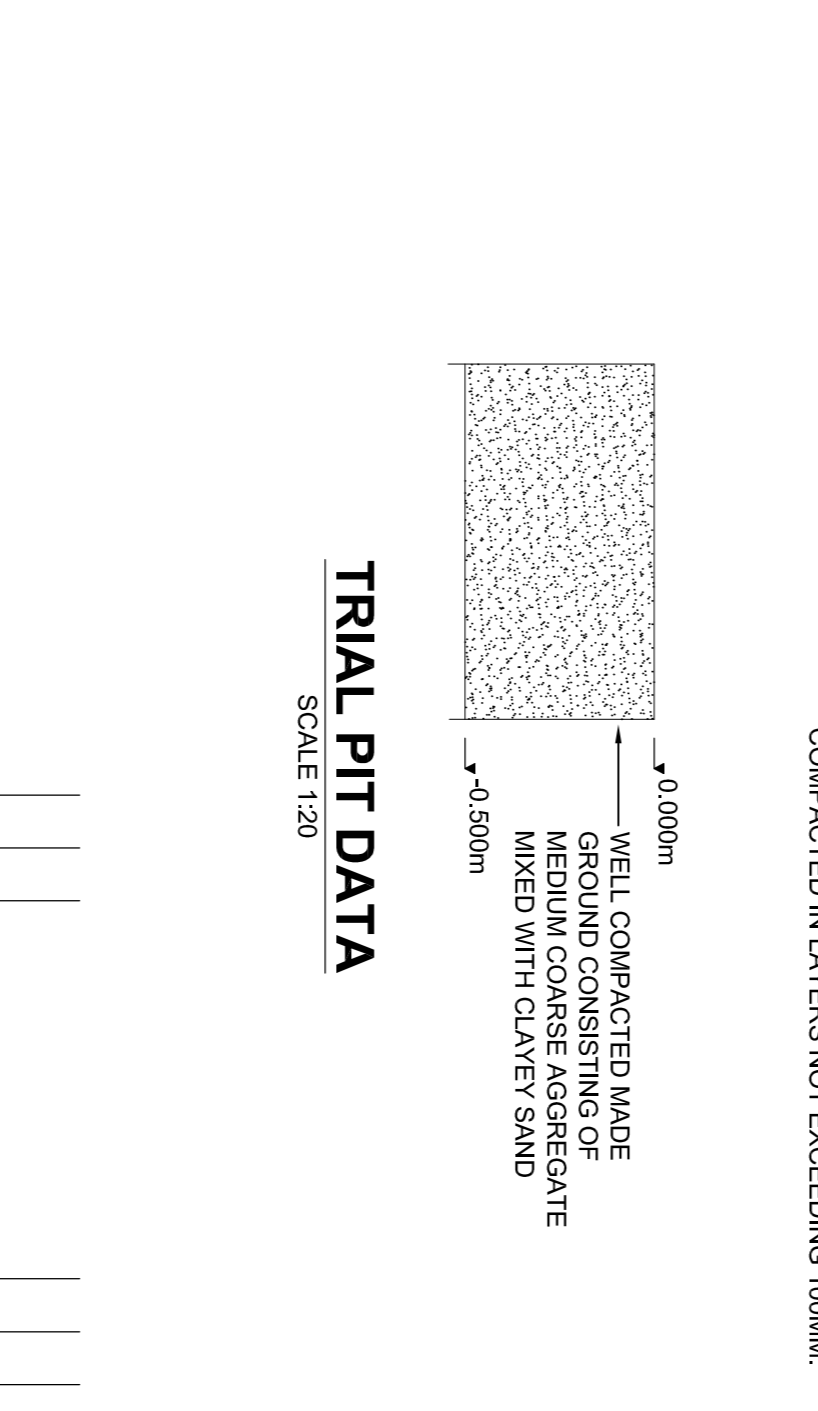
**PROPOSED SECTION E - E**  
SCALE 1:25



**PROPOSED SECTION D - D**  
SCALE 1:25

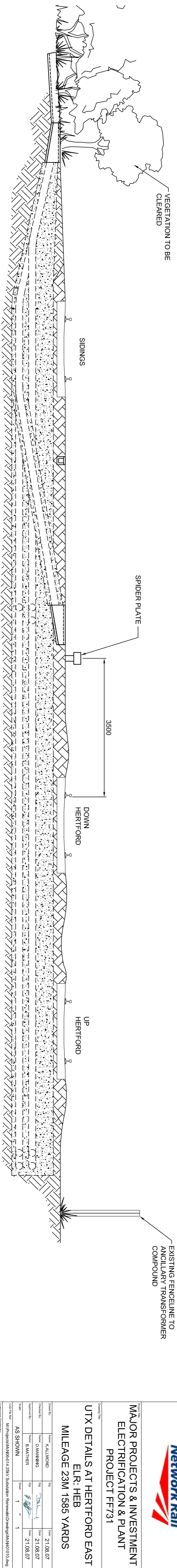


**PROPOSED SECTION D - D**  
SCALE 1:25



**TRIAL PIT DATA**  
SCALE 1:20

- NOTES:**
- ALL DIMENSIONS ARE IN MILLIMETRES UNLESS STATED OTHERWISE.
  - SETTING OUT TO BE CARRIED OUT BY CONSTRUCTION CONTRACTOR AND APPROVED BY NWR PRIOR TO COMMENCEMENT OF WORK ON SITE.
  - METHOD STATEMENTS TO BE APPROVED BY NWR PRIOR TO WORK COMMENCING.
  - ALL TEMPORARY WORKS TO BE DESIGNED BY CONSTRUCTION CONTRACTOR & INCLUDED IN METHOD STATEMENT FOR NWR APPROVAL.
  - ALL MATERIALS & WORKMANSHIP TO BE IN ACCORDANCE WITH NETWORK RAIL LINE CODE OF PRACTICE MODEL CLAUSES FOR SPECIFYING CIVIL ENGINEERING WORKS' NRNG/CI/008.
  - CONSTRUCTION CONTRACTOR TO COMPLY WITH NRSP/SH/011 'PREVENTION OF DAMAGE TO AND DANGER FROM SURFACE AND BURIED SERVICES'. CONTRACTOR TO DETERMINE THE POSITION OF TEMPORARY SERVICES & PROPOSE NECESSARY SERVICES (AND TRENCH) WHEN EXPOSING & UNDERMINING BURIED ROUTE MATERIALS.
  - BURIED ROUTE MATERIALS:
    - FLEXIDUCT.
    - GRANULAR FILL SURROUND: DOT TYPE 1
    - WARNING TAPE WITH METALLIC CORE (YELLOW AND BLACK) AS PER SPECIFIED IN TABLE NO. 5 OF NRSP/CI/044.
  - CONCRETE (STANDARD PRESCRIBED MASS CONCRETE C16/20 TO BS 8500, ALLOWABLE CEMENT SULPHATE RESISTING PORTLAND CEMENT (SULPHATE RESISTING PORTLAND CEMENT (S2) SHALL BE USED FOR FOUNDATIONS AND DUCTS WITHIN SUBSTATION COMPUND AREA).
  - BURIED CABLE MARKERS TO BE INSTALLED AS REQUIRED BY NRSP/SH/011 'PREVENTION OF DAMAGE TO AND DANGER FROM SURFACE & BURIED SERVICES'.
  - IF ANY SOFT SPOTS ARE LOCATED DURING EXCAVATION, THESE HAVE TO BE REMOVED & FILLED WITH TYPE 1. IF ROCK HARD SPOTS ARE ENCOUNTERED THESE SHOULD BE TRIMMED BACK TO ENSURE MINIMUM PIPE SURROUNDS SHOWN & BASE DEPTHS ARE ACHIEVED.
  - ALL UNDER TRACK ROUTES TO COMPLY WITH RAILWAY LINE SPECIFICATION DESIGN & CONSTRUCTION OF UNDERTRACK CROSSINGS' NRSP/CI/044.
  - COMPACTION OF FILL MATERIALS TO BE IN ACCORDANCE WITH NETWORK RAIL LINE CODE OF PRACTICE NRNG/CI/008 'MODEL CLAUSES FOR SPECIFYING CIVIL ENGINEERING WORKS'. TYPE 1 MATERIAL DIRECTLY ABOVE DUCTS HAS TO BE COMPACTED IN LAYERS NOT EXCEEDING 100MM.



**MAJOR PROJECTS & INVESTMENT ELECTRIFICATION & PLANT PROJECT FF731**

**UTX DETAILS AT HERTFORD EAST ELR: HEB MILLAGE 23M 1585 YARDS**

NO	DATE	PROJECT ISSUE	ISS	REV	BY	CHK
1	21/06/07	KALLIBOND	21	1	AS SHOWN	AS SHOWN
2	21/06/07	DRAWING	22	1	AS SHOWN	AS SHOWN
3	21/06/07	REVISION	23	1	AS SHOWN	AS SHOWN
4	21/06/07	REVISION	24	1	AS SHOWN	AS SHOWN
5	21/06/07	REVISION	25	1	AS SHOWN	AS SHOWN

**McNicholas**  
1 Conduit House, Waterdale, Glasgow, South Yorkshire, DN1 3HR  
Telephone: 01152 522200  
Website: <http://www.mcnicholas.co.uk>

**Network Rail**

Project No: FF731A/000/06, 7 TEL: 400653