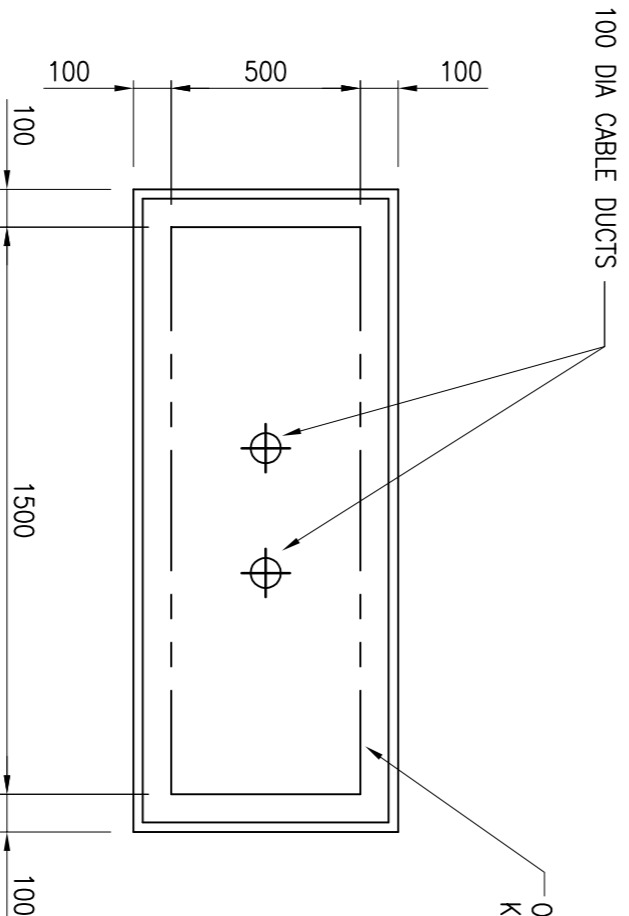
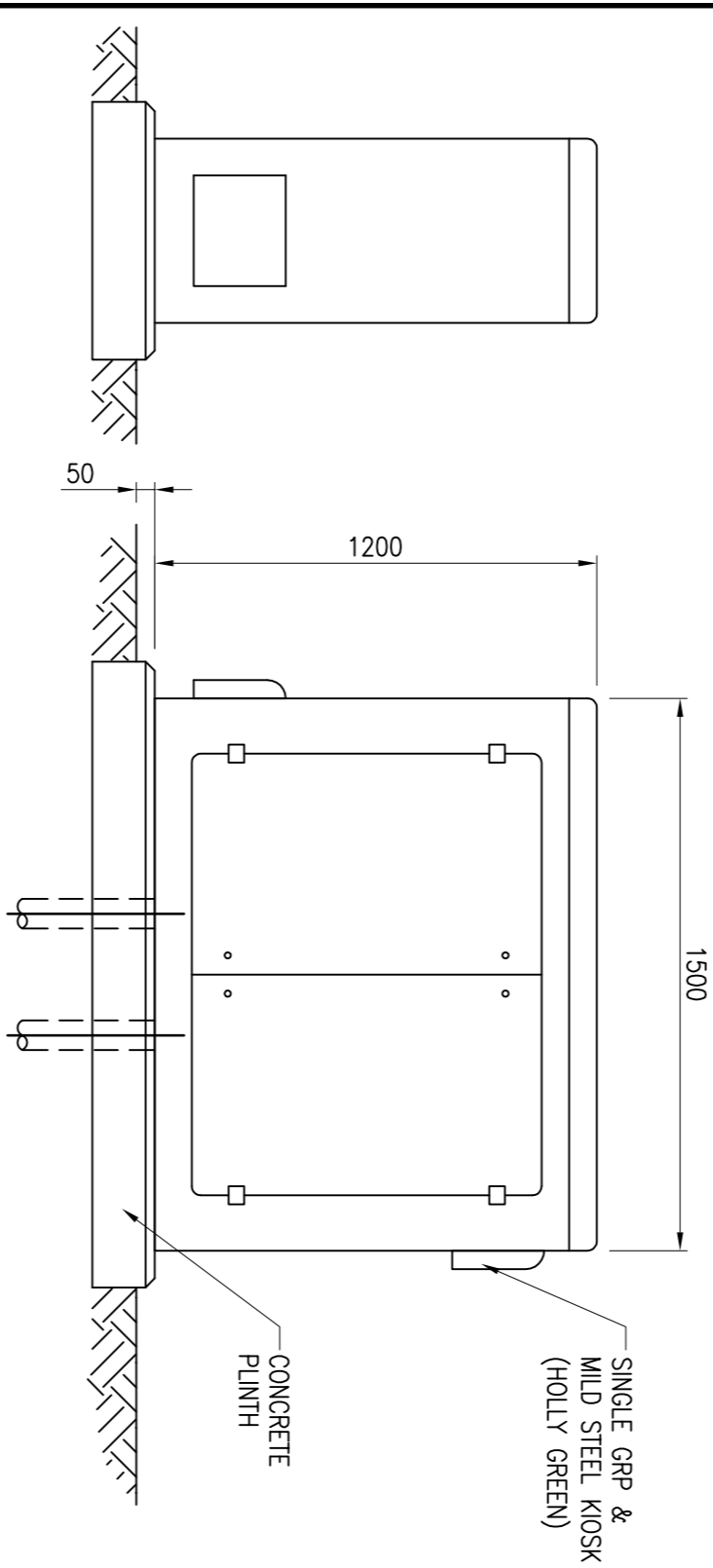


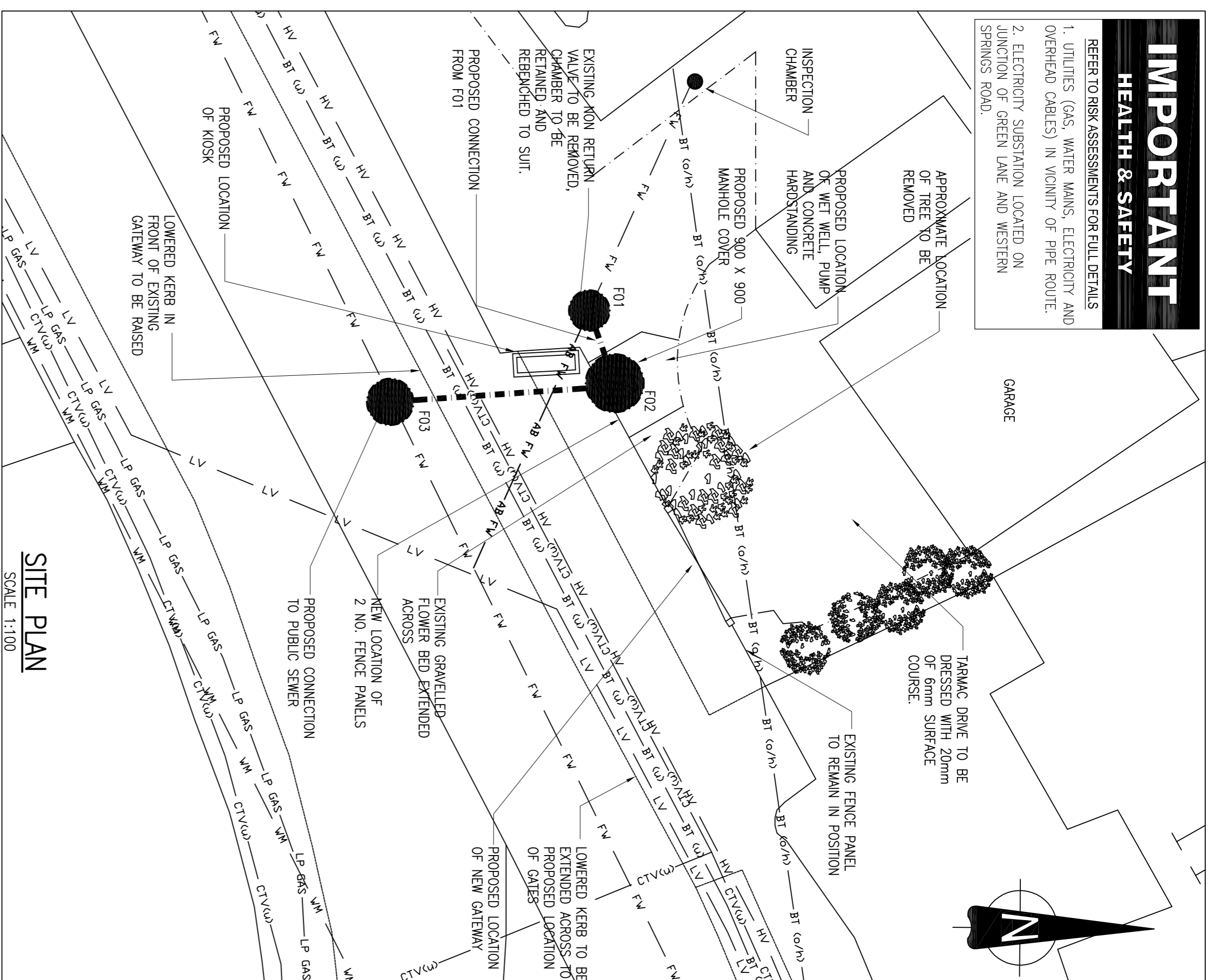
SITE LOCATION PLAN

SCALE 1:2500



DETAIL OF SINGLE MILD STEEL & GRP KIOSK

SCALE 1:200



SITE PLAN

SCALE 1:100

IMPORTANT

HEALTH & SAFETY
REFER TO RISK ASSESSMENTS FOR FULL DETAILS
1. UTILITIES (GAS, WATER MAINS, ELECTRICITY AND OVERHEAD CABLES) IN VICINITY OF PIPE ROUTE.
2. ELECTRICITY SUBSTATION LOCATED ON JUNCTION OF GREEN LANE AND WESTERN SPRINGS ROAD.

FEATURE/TOPOGRAPHY	DRIVEWAY	F01	F02	F03	HIGHWAY (FOOTPATH)
PIPE DETAILS	150 VC				
BEDDING DETAILS	CLASS 5 BED AND SURROUND				
LANDOWNER	MH & MRS DOBRICK				STAFFORDSHIRE COUNTY COUNCIL

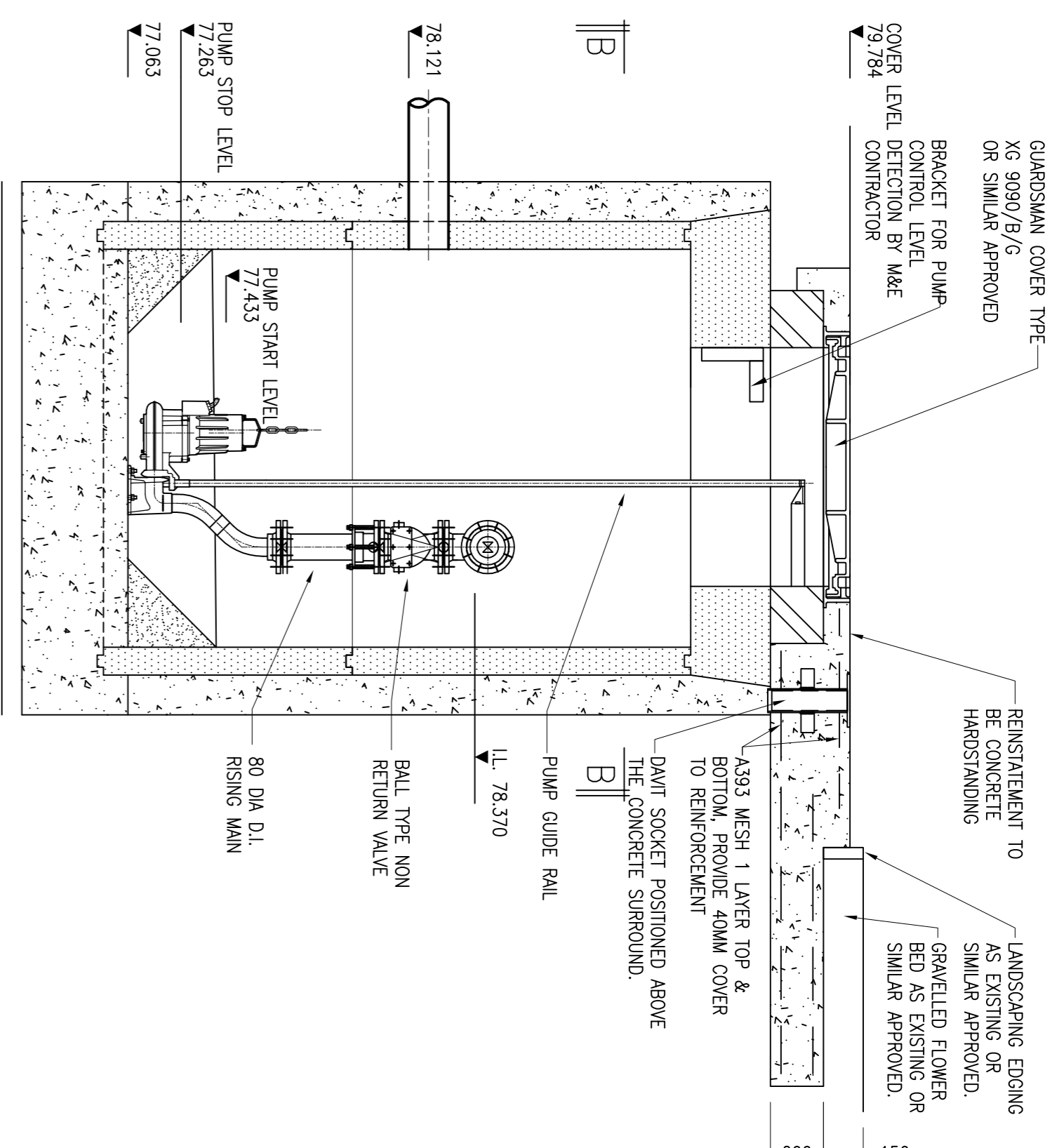
DATE	DESCRIPTION	BY	CHKD	APRD	DATE
05/04/2008	DESIGN DEVELOPMENT	AS	SHOWN		
05/04/2008	DESIGN DEVELOPMENT	AS	SHOWN		

FEATURE	LEVEL (m)	LEVEL (m)	LEVEL (m)
EXISTING GROUND LEVEL (m)	78.259	78.159	78.121
PROP. INVERT LEVEL (m)	79.784	78.370	78.370
GRADIENT	1:40	1:40	1:200
CHAINAGE (m)	0.0	2.0	7.8

DATE	DESCRIPTION	BY	CHKD	APRD	DATE
05/04/2008	DESIGN DEVELOPMENT	AS	SHOWN		
05/04/2008	DESIGN DEVELOPMENT	AS	SHOWN		

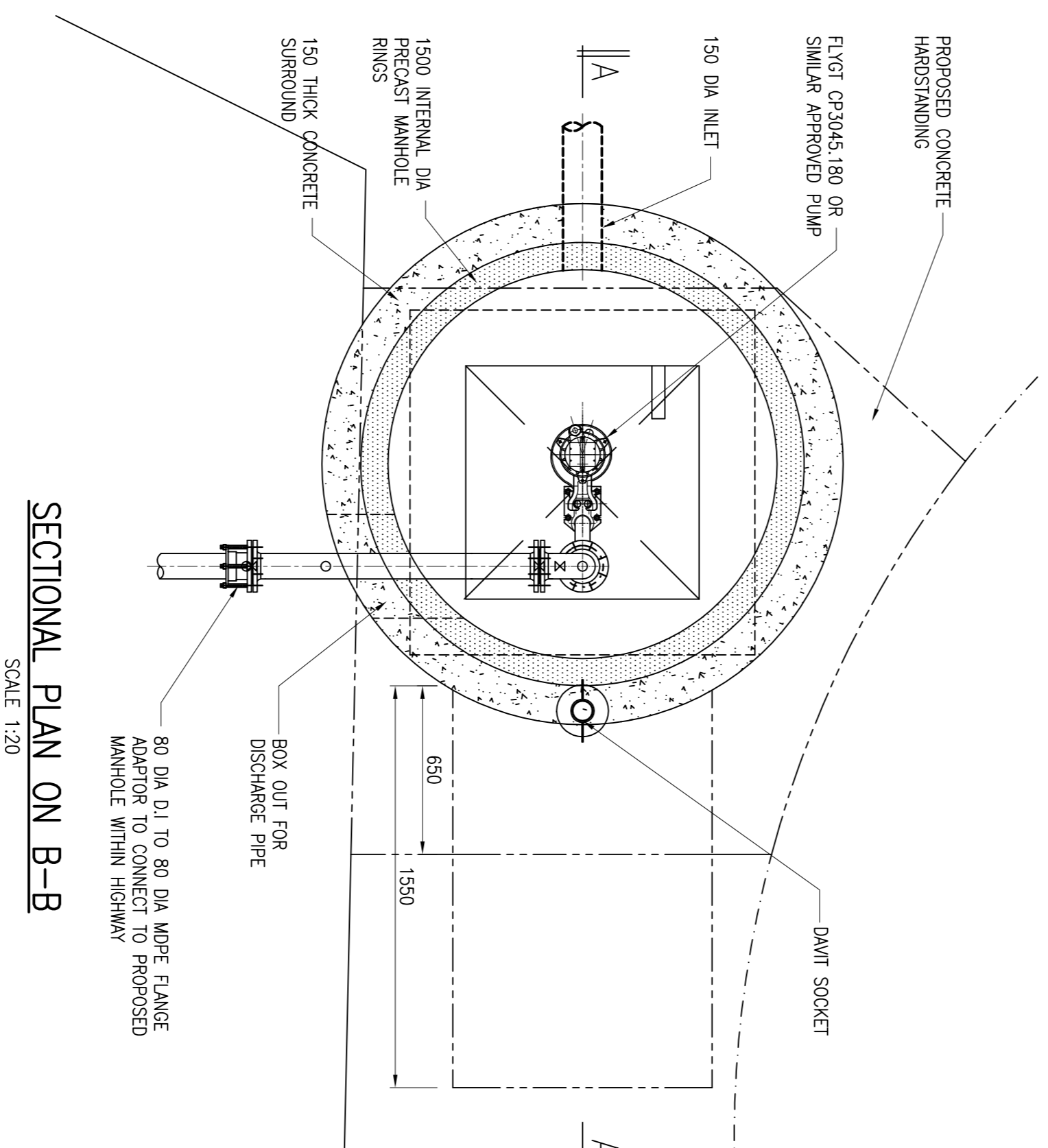
LONGITUDINAL SECTION FROM EXISTING NRY TO PROPOSED CONNECTION TO PUBLIC SEWER

SCALE H 1:200, V 1:100



SECTION ON A-A

SCALE 1:20



SECTIONAL PLAN ON B-B

SCALE 1:20

GENERAL ARRANGEMENT MANHOLE F02

MANHOLE REFERENCE	TYPE	LEVELS (m)			PIPE DIAMETER (mm)			MANHOLE CHAMBER SIZE (mm)	SPECIAL FEATURES	SCHEMATIC PLAN
		GROUND COVER	INVERT	OUTGOING	BRANCH	EXTG				
F01		79.784	78.259	150			1500 DA			
F02		79.784	78.221	150			1500 DA			
F03		79.700	78.147	Exg 225	Exg 225		1200 DA			

NOTES

1. INFORMATION CONCERNING THE LOCATION OF SEWERS IS GIVEN FOR INFORMATION ONLY. NO GUARANTEE IS GIVEN OR LIABILITY ACCEPTED AS TO THEIR ACCURACY. IT SHOULD NOT BE RELIED UPON IN THE EVENT OF EXCAVATIONS OR OTHER WORKS MADE NEAR SERVICES WHICH MAY EXIST AT VARIOUS DEPTHS & MAY DEVIATE FROM THE MARKED NUMBER ONLY. LOCATION IS TO BE CONFIRMED BY THE CONTRACTOR PRIOR TO COMMENCING EXCAVATION.
2. THE MATERIAL CONTAINED WITHIN THIS DRAWING HAS BEEN BASED UPON THE ORDNANCE SURVEY MAP BY SEVERN TRENT WATER LTD. BY PERMISSION OF ORDNANCE SURVEY ON BEHALF OF THE CONTRACTOR OF HER MAJESTY'S STATIONARY OFFICE. © CROWN COPYRIGHT SEVERN TRENT WATER LTD. W0298522
3. DOCUMENT USERS OTHER THAN SEVERN TRENT WATER BUSINESS USERS ARE ADVISED THAT THIS DOCUMENT IS PROVIDED FOR REFERENCE PURPOSE ONLY AND NO FURTHER COPIES SHOULD BE MADE FROM IT.
4. ALL PIPE LENGTHS ARE MEASURED FROM CENTRES OF MANHOLES.

LEGEND

- PROP. SURFACE WATER SEWER
- PROP. SURFACE WATER MANHOLES
- PROP. FOLL WATER SEWER
- PROP. FOLL WATER MANHOLES
- STORM WATER SEWERS
- FOLL WATER SEWERS
- SURFACE WATER SEWER TO BE ABANDONED
- FOLL WATER SEWER TO BE ABANDONED
- WATER MAIN
- CULVERTED WATER
- HIGH PRESSURE GAS MAINS
- LOW PRESSURE GAS MAINS
- HV ELECTRIC CABLES
- LV ELECTRIC CABLES
- BT (OVERHEAD)
- BT (UNDERGROUND)
- DMS (OVERHEAD)
- DMS (UNDERGROUND)
- ABANDONED SERVICE
- AB GAS
- AB GAS

REV	DESCRIPTION	BY	CHKD	APRD	DATE
0	FIRST ISSUE	KAH	KRH	NLC	05/04/08
1	MINOR MODIFICATIONS	KAH	KRH	NLC	05/04/08
2	AS BUILT	SB	KRH	NLC	05/07/08

Severn Trent Water

36997 - RUGELEY, GREEN LANE FLOOD ALLEVIATION SCHEME

GENERAL ARRANGEMENT

Carl Bro
Grove House
Marsdon Gate Drive
Leeds
LS7 4DN
Tel: 0113 262 0000
Fax: 0113 262 0737
www.carlbro.com

FOR CONSTRUCTION

DRAWN	CHECKED	APPROVED
K ALLMOND	K HEINEMANN	N CROSSLEY
DATE: 05/04/2008	DATE: 05/04/2008	DATE: 05/04/2008
SHEET: 594 x 841 - A1		
DRAWINGS NO: K336997-CA-001		REV: Z

Bristol, Dublin, Edinburgh, Glasgow, Leeds, London, Peterborough, Wrexham
DRAWING STATUS